

Building scheme for BOF



1. Periodic Building Unit – 2. Connection mode – 3. Channels and/or cages
4. Composite Building Units – 5. Supplementary information

1. Periodic Building Unit

BOF can be built using units of 12 T atoms composed of two 5-1 units. The one-dimensional PerBU is obtained when T12-units, related by pure translations along a , are connected into the chain shown in Figure 1.

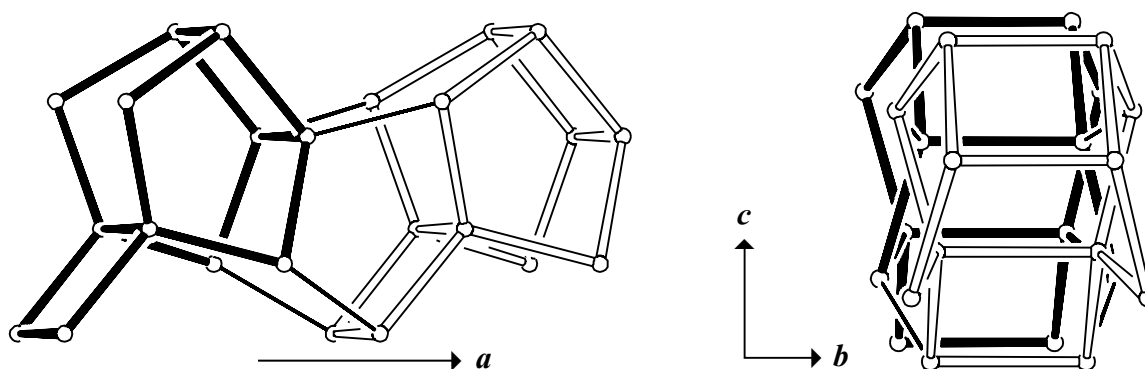


Figure 1. PerBU in BOF viewed along b (left) and along a (right). One T12-unit in bold



2. Connection mode

Neighboring PerBUs are related along c by a screw rotation of 180° about c as shown in Figure 2.

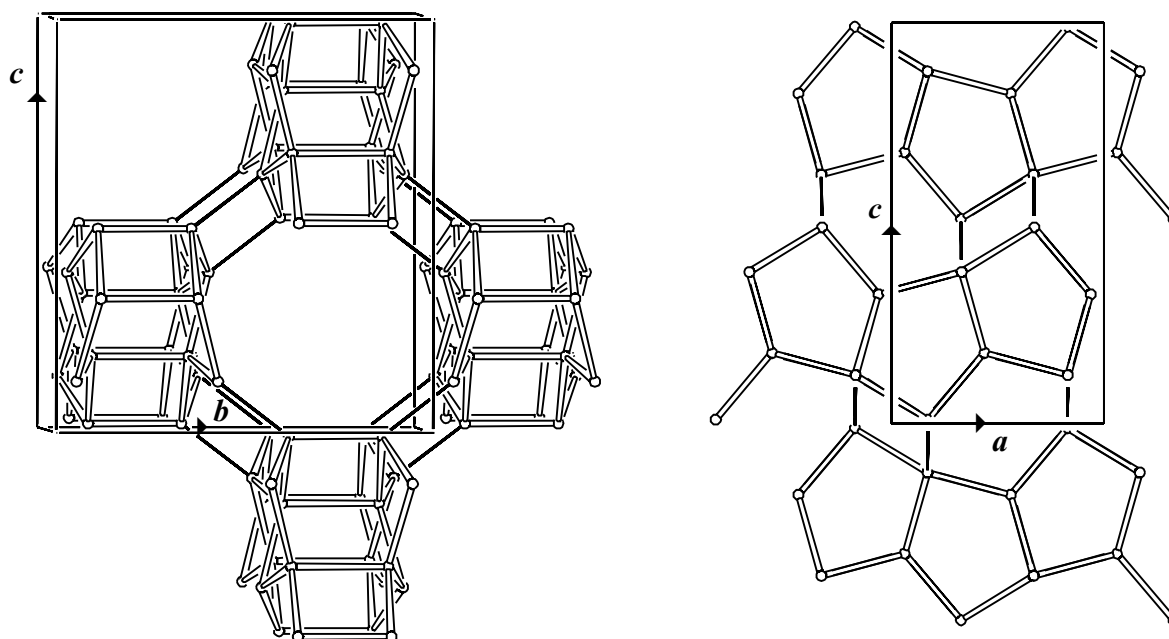


Figure 2. Connection mode and cell content viewed along a (left) and projected along b (right).



3. Channels and/or cages

Non-interconnecting 10-ring channels are parallel to *a*.

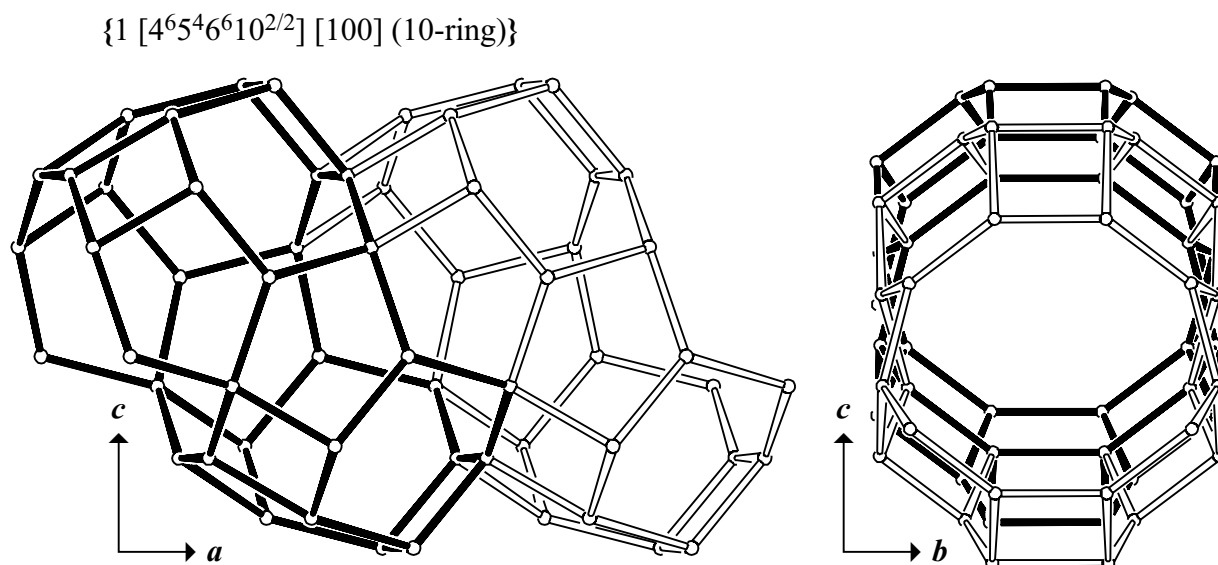


Figure 3. 10-Ring channel parallel to *a* viewed perpendicular to the channel axis (left) and along the channel axis (right). One repeat unit along the channel in bold. ▲

4. Composite Building Units

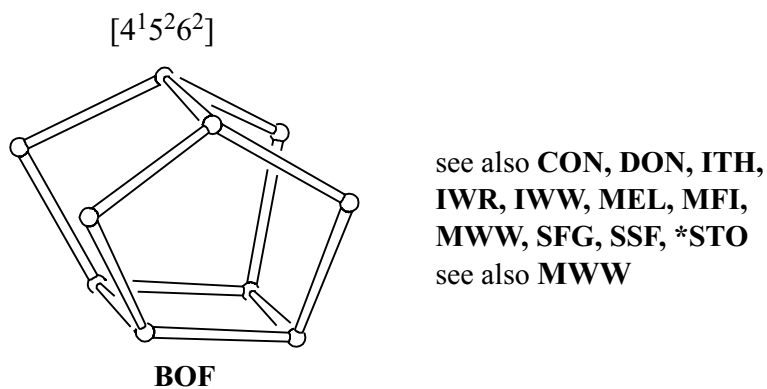


Figure 4. Composite Building Unit. The **pore descriptor** is added. ▲

5. Supplementary information

Alternative description using (modified) 5-rings

Several other framework types can be constructed using (modified) 5-rings.

In the **INTRO** pages links are given to detailed descriptions of these framework types (choose: **5-Rings**). There is also a link provided to a summary of the Periodic Building Units used in the building schemes of these framework types (choose: **Appendix; Figure 6**).

▲